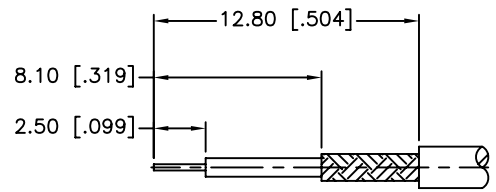
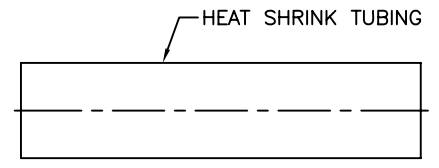
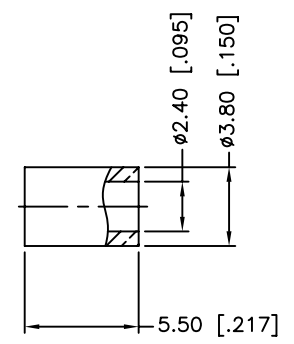
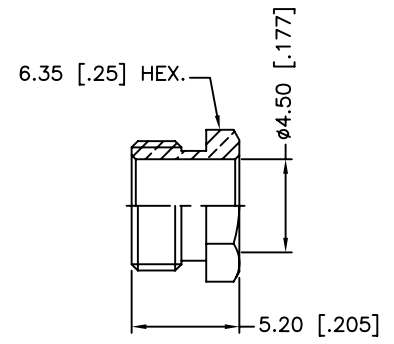
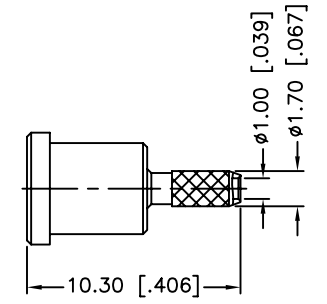
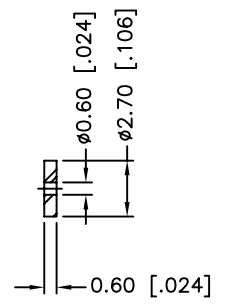
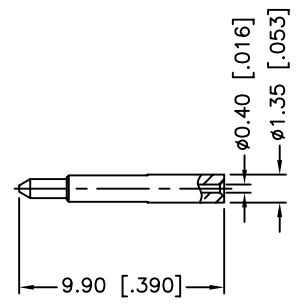
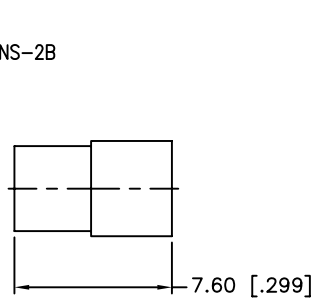
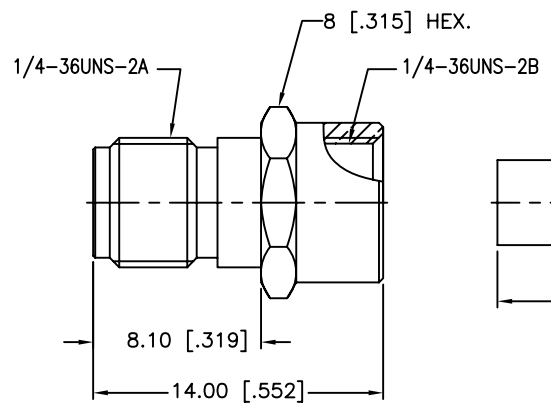


REV.	DATE	ECR NO.	DESCRIPTION
NC	04/13/12	XXXXXX	INITIAL RELEASE



RECOMMENDED  
CABLE STRIPPING DIM'S



1. CRIMPED FERRULE  
HEX. CRIMP SIZE .128"
2. CRIMPED CONTACT PIN  
SQ. SIZE .042" OR .043"

8	HEAT SHRINK TUBING		BLACK	1
7	FERRULE	COPPER	GOLD	1
6	HEX NUT	BRASS	GOLD	1
5	BARREL	BRASS	GOLD	1
4	INSULATOR	PTFE	NATURAL	1
3	CONTACT PIN	BRASS	GOLD	1
2	INSULATOR	PTFE	NATURAL	1
1	BODY	BRASS	GOLD	1
	DESCRIPTION	MATERIAL	FINISH	QTY

UNLESS OTHERWISE SPECIFIED DIMENSIONS ARE IN MILLIMETERS. DIMENSIONS IN [ ] ARE IN INCHES AND FOR CUSTOMER REFERENCE ONLY.

UNLESS OTHERWISE SPECIFIED TOLERANCES FOR MILLIMETERS ARE:  
0.5 - 8mm ± 0.20mm  
8 - 30mm ± 0.40mm  
30 - 120mm ± 0.50mm

UNLESS OTHERWISE SPECIFIED TOLERANCES FOR INCHES ARE:  
.020 - .315 = ± 0.007"  
.315 - 1.180 = ± 0.015"  
1.180 - 4.724 = ± 0.020"

DO NOT SCALE DRAWING

APPROVALS	DATE
DRAWN M.ZHANG	04/13/12
CHECKED	
ISSUED	
SHEET 1 OF 1	
CAD FILE	C:/CONNEX/132279RP.DWG

**Amphenol Connex**

PART DESCRIPTION  
**SMA REVERSE POLARITY CRIMP JACK  
(FOR RG-178B/U,196A/U CABLE)**

PART NO. **132279RP**

DWG. NO. 132279RP.DWG    REV. NC    SIZE A    SCALE NA